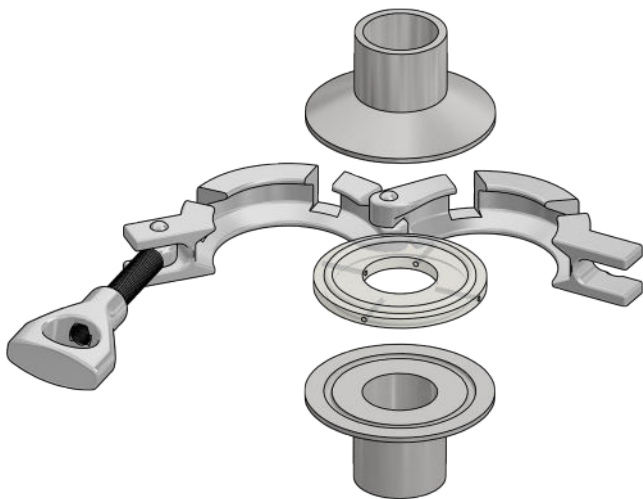




Thermocouple Clamp
Specification Sheet | 026

[Click Here for Brochure](#)

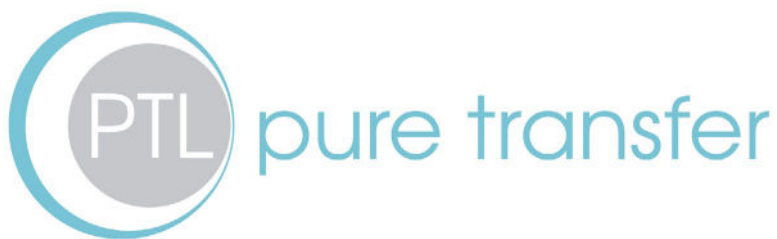
Smart Clamps value is proven when validating sterility in high purity pharmaceutical systems. Smart clamps are designed to accommodate validation gaskets whilst allowing easily installs in between any ASME BPE or standard tri-clamp.



Thermocouple Clamps	
Size	0.5" to 4"
Material	Stainless Steel 304
Applications	For Smart Gasket®
Pack Size	Individual or Multiples
Port Options	1, 2, 3, or 4
Options	Laser Engraving, Coloured Clamps

Certificates Available





Thermocouple Clamp Part Numbers			
Size	Part Number	Description	Port
0.5" and 0.75"	CL-TH-050/075-1	0.5" & 0.75" Thermocouple Smart Gasket® Clamp	1
0.5" and 0.75"	CL-TH-050/075-2	0.5" & 0.75" Thermocouple Smart Gasket® Clamp	2
0.5" and 0.75"	CL-TH0-50/075-3	0.5" & 0.75" Thermocouple Smart Gasket® Clamp	3
0.5" and 0.75"	CL-TH-050/075-4	0.5" & 0.75" Thermocouple Smart Gasket® Clamp	4
1" and 1.5"	CL-TH-100/150-1	1" & 1.5" Thermocouple Smart Gasket® Clamp	1
1" and 1.5"	CL-TH-100/150-2	1" & 1.5" Thermocouple Smart Gasket® Clamp	2
1" and 1.5"	CL-TH-100/150-3	1" & 1.5" Thermocouple Smart Gasket® Clamp	3
1" and 1.5"	CL-TH-100/150-4	1" & 1.5" Thermocouple Smart Gasket® Clamp	4
2"	CL-TH-200-1	2" Thermocouple Smart Gasket® Clamp	1
2"	CL-TH-200-2	2" Thermocouple Smart Gasket® Clamp	2
2"	CL-TH-200-3	2" Thermocouple Smart Gasket® Clamp	3
2"	CL-TH-200-4	2" Thermocouple Smart Gasket® Clamp	4
3"	CL-TH-300-1	3" Thermocouple Smart Gasket® Clamp	1
3"	CL-TH-300-2	3" Thermocouple Smart Gasket® Clamp	2
3"	CL-TH-300-3	3" Thermocouple Smart Gasket® Clamp	3
3"	CL-TH-300-4	3" Thermocouple Smart Gasket® Clamp	4
4"	CL-TH-400-1	4" Thermocouple Smart Gasket® Clamp	1
4"	CL-TH-400-2	4" Thermocouple Smart Gasket® Clamp	2
4"	CL-TH-400-3	4" Thermocouple Smart Gasket® Clamp	3
4"	CL-TH-400-4	4" Thermocouple Smart Gasket® Clamp	4